

SECTION 3-B MANHOLES

CITY OF SACHSE, TEXAS
DEPARTMENT OF ENGINEERING

STANDARD CONSTRUCTION DETAILS
STORM WATER

MANHOLES

APPROVED:

DATE: SEPTEMBER 2013

REVISED:

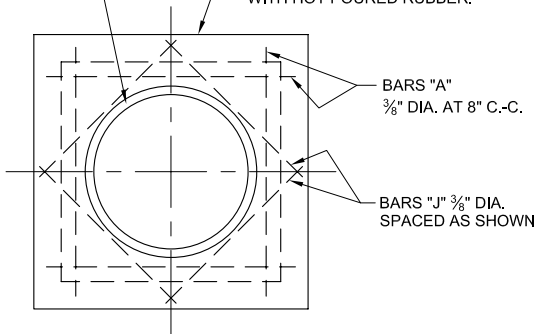
Page 1

MANHOLE DEPTH	MANHOLE DIAMETER
0-12'	4'
12'-20'	5'
20'+	City Engineer Approval Required

MANHOLE DIAMETER

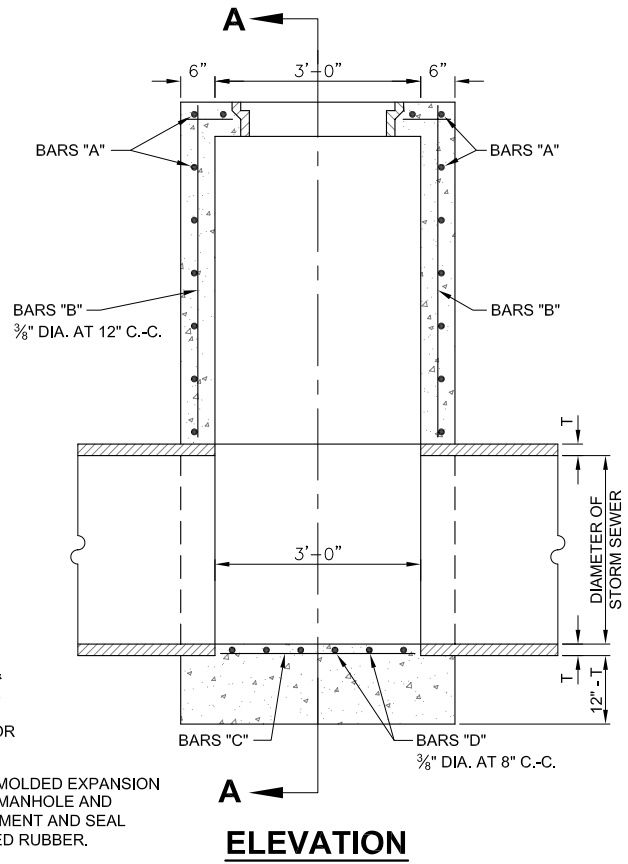
FRAME AND COVER SHALL BE BASS & HAYS PATTERN NO. 380-24 OR EQUAL AND SHALL BE GRAY CAST IRON CONFORMING TO ASTM SPEC A-48 FOR CLASS 30 CAST IRON.

PROVIDE 3/4" PREMOLDED EXPANSION JOINT BETWEEN MANHOLE AND CONCRETE PAVEMENT AND SEAL WITH HOT POURED RUBBER.

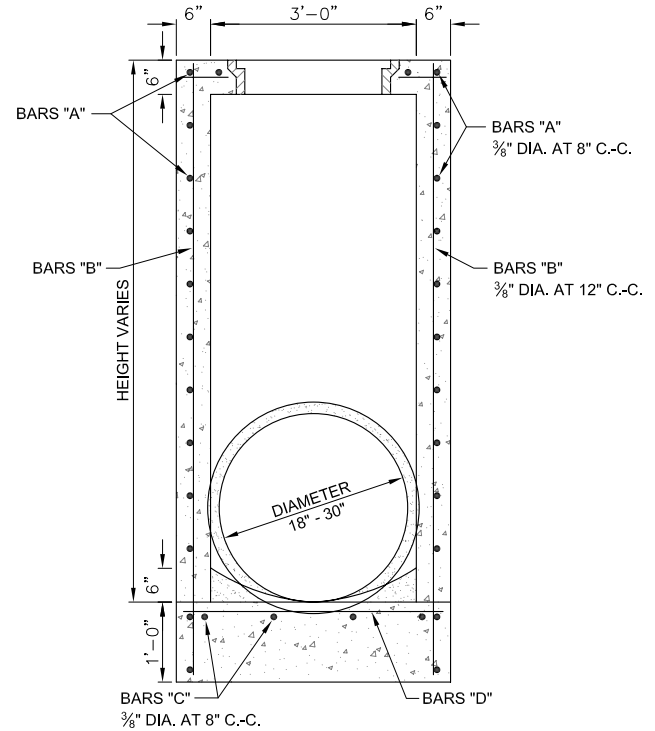


TOP PLAN TYPE A & TYPE B STORM SEWER MANHOLE

NOTE: MAXIMUM PIPE SIZE TO BE USED 78"



ELEVATION



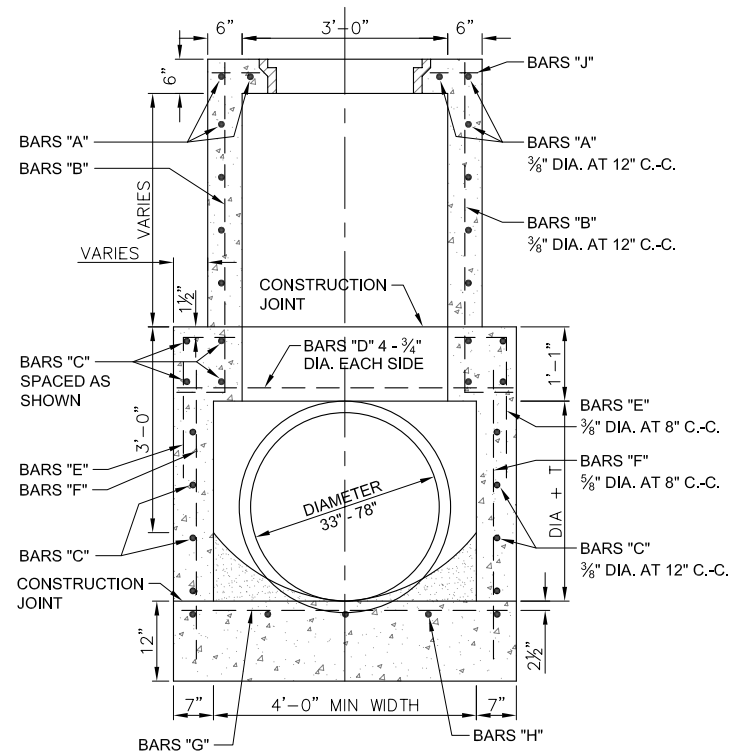
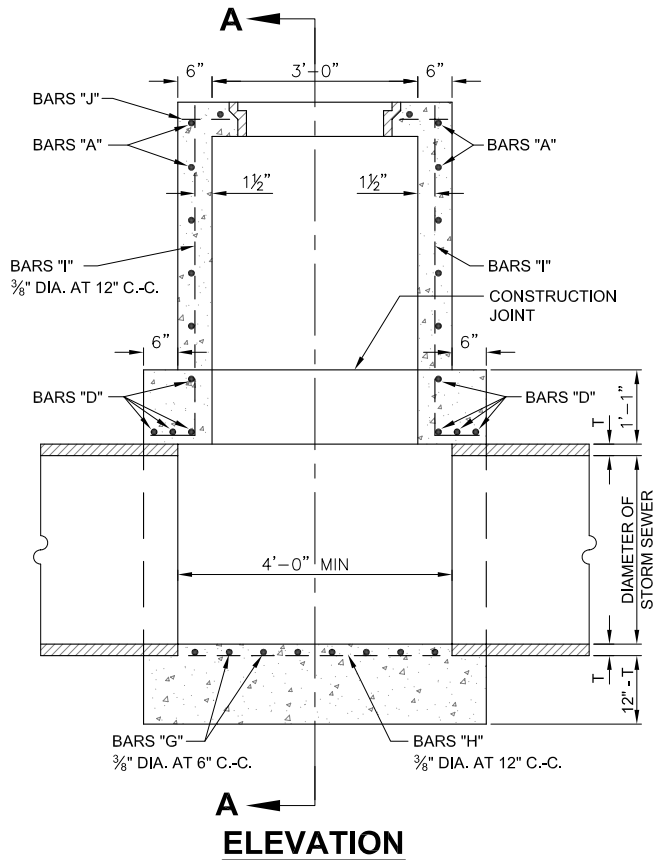
SECTION A-A

TYPE "A" STORM SEWER MANHOLE

(FOR PIPE 18" TO 30" IN DIAMETER)

NOTE: IF ROCK IS ENCOUNTERED IN TRENCH BOTTOM, OVER EXCAVATE TRENCH A MINIMUM OF 8" AND BED PIPE IN GRAVEL OR CRUSHED STONE. IF JETTED SAND IS USED IN BACKFILL ABOVE SPRING LINE OF CORRUGATED METAL PIPE THE SAND SHALL BE COMPLETELY DRAINED AND TESTED FOR 90% DENSITY PRIOR TO ANY BACKFILL OVER PIPE.

CITY OF SACHSE, TEXAS DEPARTMENT OF ENGINEERING		
STANDARD CONSTRUCTION DETAILS STORM WATER		
MANHOLES		
APPROVED:		
DATE: SEPTEMBER 2013	REVISED:	Page 2



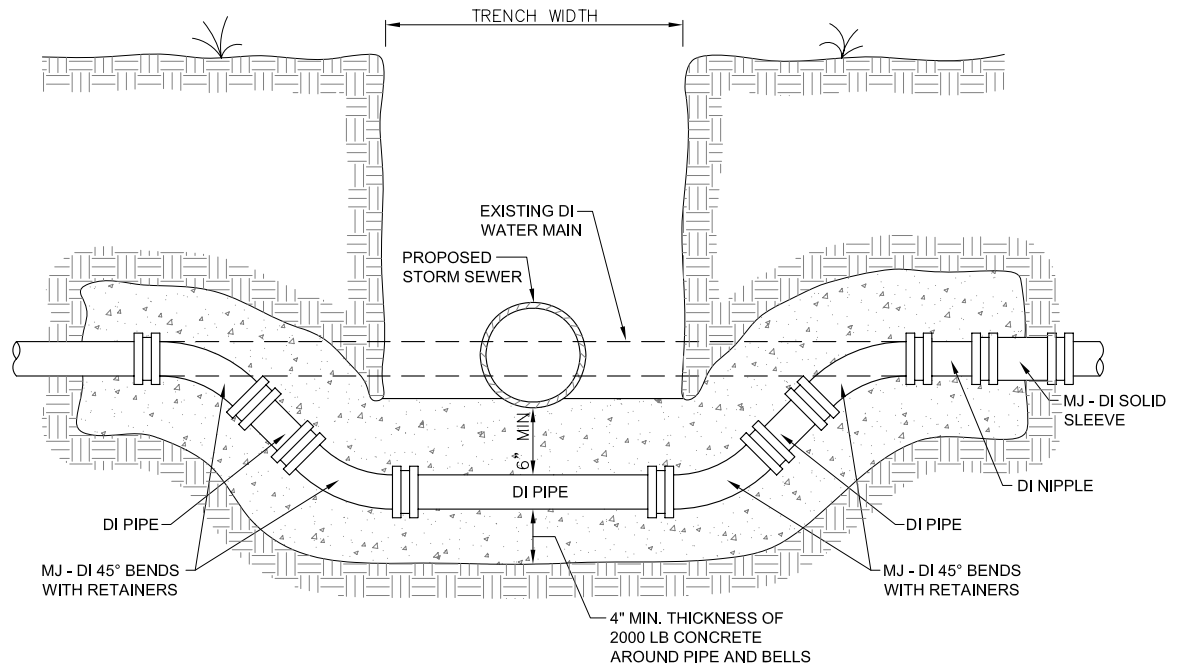
TYPE "B" STORM SEWER MANHOLE
(FOR PIPE 33" TO 78" IN DIAMETER)

MANHOLE DEPTH	MANHOLE DIAMETER
0-12'	4'
12'-20'	5'
20'+	City Engineer Approval Required

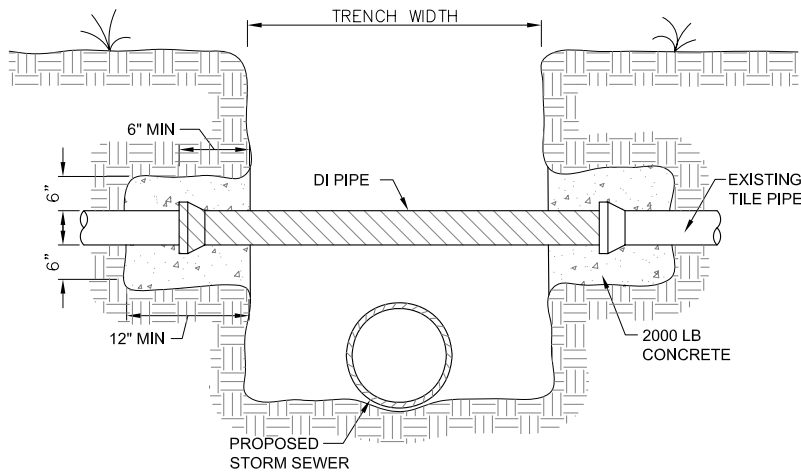
MANHOLE DIAMETER

SECTION A-A

CITY OF SACHSE, TEXAS DEPARTMENT OF ENGINEERING		
STANDARD CONSTRUCTION DETAILS STORM WATER		
MANHOLES		
APPROVED:		
DATE: SEPTEMBER 2013	REVISED:	Page 3

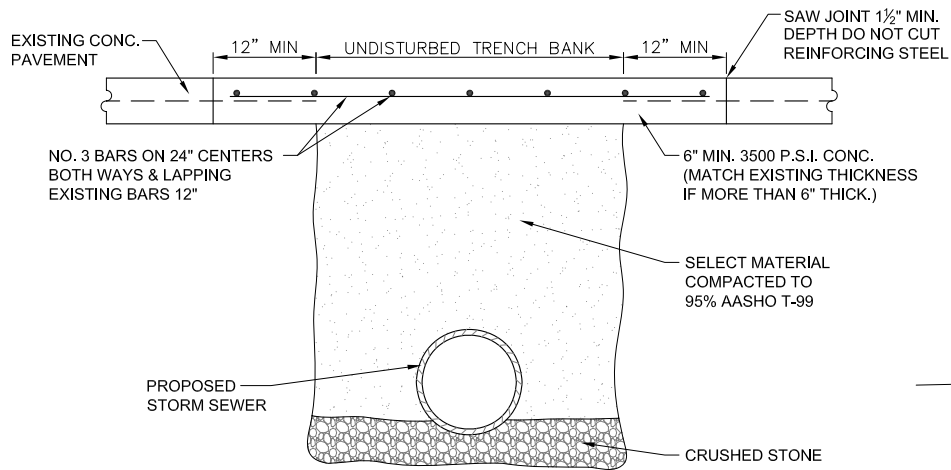


DETAIL FOR WATER MAIN LOWERING

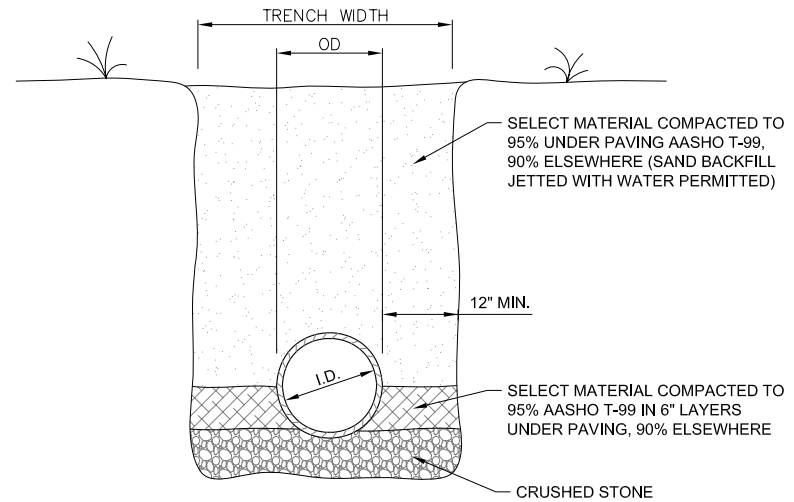


DETAIL OF UTILITY SUPPORT

CITY OF SACHSE, TEXAS DEPARTMENT OF ENGINEERING		
STANDARD CONSTRUCTION DETAILS STORM WATER		
MANHOLES		
APPROVED:		
DATE: SEPTEMBER 2013	REVISED:	Page 4

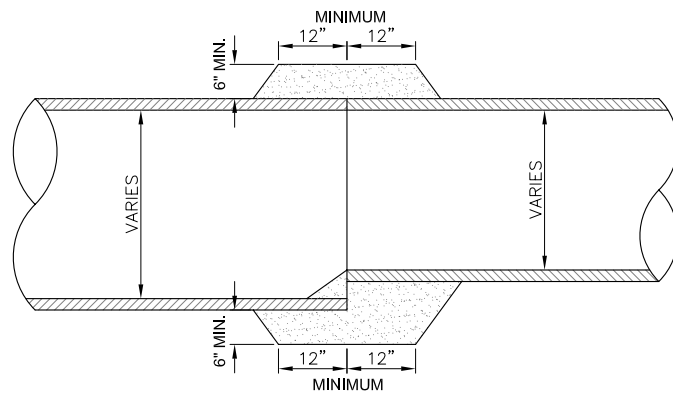


CONCRETE STREET OR DRIVEWAY REPAIR



CLASS B BEDDING

STORM SEWER PIPE BEDDING DETAIL



DETAIL OF CONCRETE COLLAR FOR PIPE CONNECTIONS

CITY OF SACHSE, TEXAS DEPARTMENT OF ENGINEERING		
STANDARD CONSTRUCTION DETAILS STORM WATER		
MANHOLES		
APPROVED:		
DATE: SEPTEMBER 2013	REVISED:	Page 5